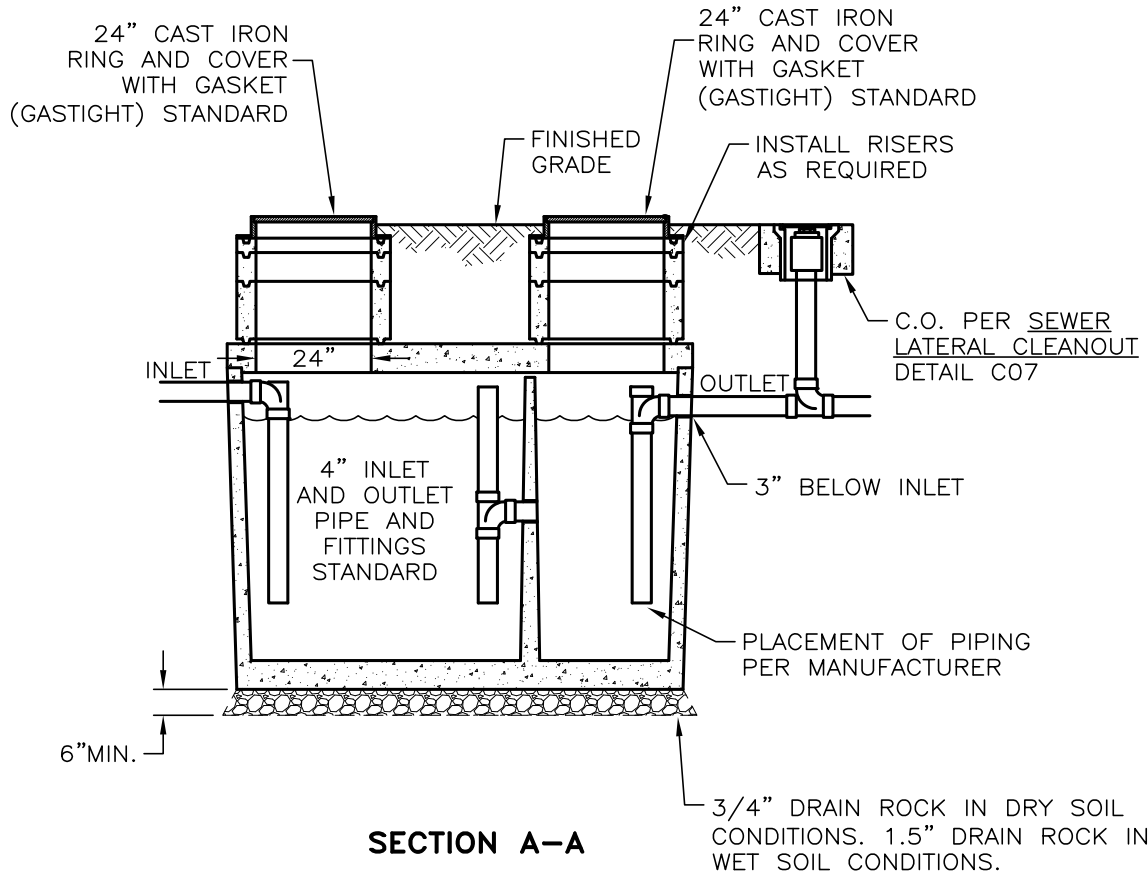


PLAN VIEW
(COVERS & RISERS REMOVED)



SECTION A-A

NOTES:

1. INSTALL JENSEN PRECAST GREASE INTERCEPTORS (MODELS JP320EE-G THROUGH JP2000EE-G AND JZ2500EE-G THROUGH JZ5000EE-G) WITH H-20 TRAFFIC FROM 1' TO 6' SOIL COVER, OR APPROVED EQUAL.
2. REFER TO SEWER UTILITY REQUIREMENTS FOR MINIMUM SIZING.
3. ALL FITTINGS SHALL BE SOLVENT AND WELDED.
4. AVOID PLACING IN PARKING SPACES AND LANDSCAPE AREAS. IF NECESSARY, PROVIDE DESIGN BY ENGINEER. MOUND IN PARKING/SIDEWALK AREAS TO CHANNEL DRAINAGE AWAY FROM INTERCEPTOR. LIDS SHALL BE 1" ABOVE FINISHED GRADE IN ASPHALT CONCRETE/CONCRETE AREAS AND 3" ABOVE FINISHED GRADE IN LANDSCAPE AREAS.
5. DUMPSTER DRAINS SHALL BE ROUTED THROUGH GREASE INTERCEPTORS.
6. CONCRETE COLLAR AROUND LIDS TO INTERCEPTOR.

NO.	REVISION	DATE	STANDARD DETAIL FOR PUBLIC WORKS CONSTRUCTION	SECTION: DOUGLAS COUNTY
			GREASE INTERCEPTOR	DATE: JULY 2017
				DWG: C10