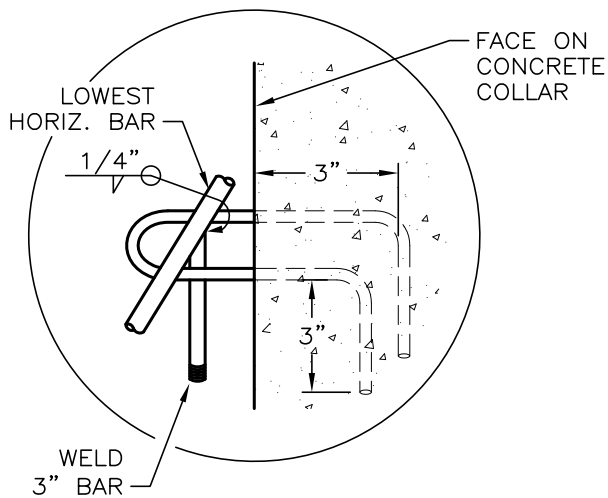


PIPE SIZE	BAR SIZE
21"	4
24"	4
27"	5
30"	5
33"	6
36"	6
42"	7
48"	7
54"	7
60"	8
66"	8
72"	8
84"	8



NOTES:

1. RACK TO BE WELDED REINFORCING STEEL OR ROUND BARS OF EQUAL DIAMETER WITH HORIZONTAL BARS BEING 8" CENTER TO CENTER.
2. PORTLAND CEMENT CONCRETE SHALL CONFORM TO THE REQUIREMENTS OF SECTION 202 OF THE STANDARD SPECIFICATIONS FOR PUBLIC WORKS CONSTRUCTION FOR CONCRETE EXPOSED TO FREEZE-THAW ENVIRONMENTS.

NO.	REVISION	DATE	STANDARD DETAIL FOR PUBLIC WORKS CONSTRUCTION	SECTION: DOUGLAS COUNTY
			ACCESS CONTROL RACK	DATE: JULY 2017
				DWG: D07